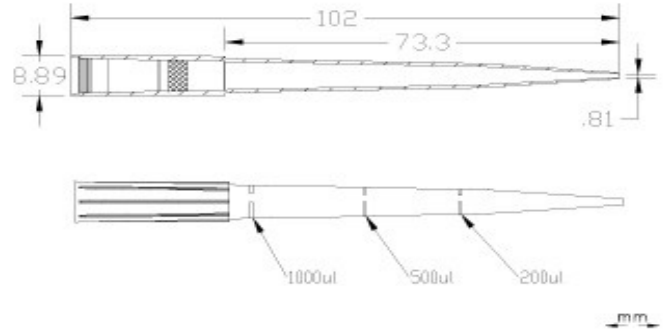




Product Catalog : PS-000 Filter Tips 1250 μ l



Catalog

PS-000

Description

Natural, Polypropylene, Low Retention, Sterile

Packaging Details

96 Tips/Rack, 8 Racks/Pack, 5Packs /Case

Packaging Type

Hinged and locking rack
Color coded trays for easy size identification

Material Polypropylène

Volume Range 50-1250 μ l

Graduations 200-500-1000 μ l

Manufactured in

USA

Attributes :

Compatible with most popular pipettors

For use in medical, pharmaceutical ,food industry, and molecular biology

Certified Rnase/Dnase Free

Certified Human DNA Free

Certified PCR Inhibitor Free

Certified Pyrogen Free



Peak Serum Inc - 6598 ButterCup Drive - Unit 3 - Wellington Colorado USA